




Dia.200mm Red Cross and Green Arrow 2in1 LED Traffic Light

	<p>Model: CD200-3-15A</p> <p>Keyword: Red Cross & Green Arrow Signal, Driveway Indicator Signal, Red Fork & Green Arrow, Toll Station Signal.</p> <p>Application: Red Cross & Green Arrow Driveway Indicator Signal is widely used in Toll Station, Parking lot to indicate whether Vehicles can go or not.</p> <p>Strengths: Save energy worldwide and thus save costs by offering a series of energy-saving and efficient LED traffic lights with first-rate quality yet affordable price.</p>
---	--

Technical Parameters:

Color	LED Q.ty	Light Intensity	Wave Length	Power Factor	Viewing Angle	Power	Working Voltage	Housing Material
RED	45pcs	≥225cd	625±5nm	>0.9	30°	≤3W	85V-265VA C,50/60HZ; 12/24VDC	PC,UV Resistant
GREEN	36pcs	≥288cd	505±5nm			≤3W		

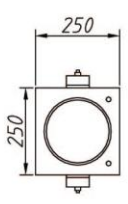
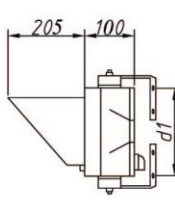
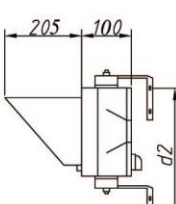
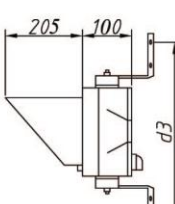
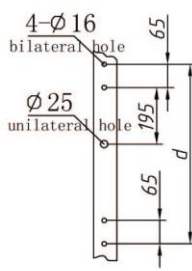
Packing Info:

Carton Size	Q'TY	GW	NW	Wrapper	Volume(CBM)
80*28*21cm	2pcs/carton	9.41kg	5.5kg	K=K Carton	0.05

Packing List:

Part name	Light	L Bracket	Sun Visor	M4x10 Screw	M4x20 Screw	Wiring Box And Gasket	Using Manual	Certificate
Q'ty.(pcs)	2	4	2	8	8	2	1	2

Installation Sketch:

					<table border="1" style="margin: auto; border-collapse: collapse;"> <thead> <tr> <th>d</th> <th>size</th> </tr> </thead> <tbody> <tr> <td>d1</td> <td>230</td> </tr> <tr> <td>d2</td> <td>395</td> </tr> <tr> <td>d3</td> <td>560</td> </tr> </tbody> </table> <p>unit:mm</p>	d	size	d1	230	d2	395	d3	560
d	size												
d1	230												
d2	395												
d3	560												
Front	Side	Side	Side	Light Pole									



CABLEMATIC

Terminal Connection Sketch:

