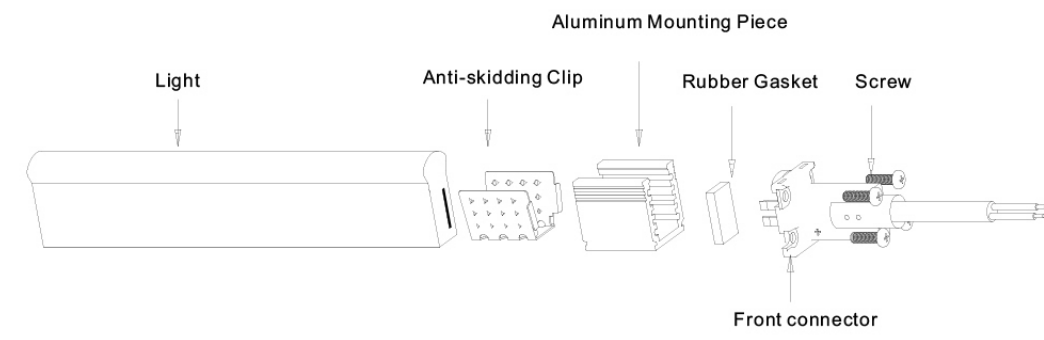
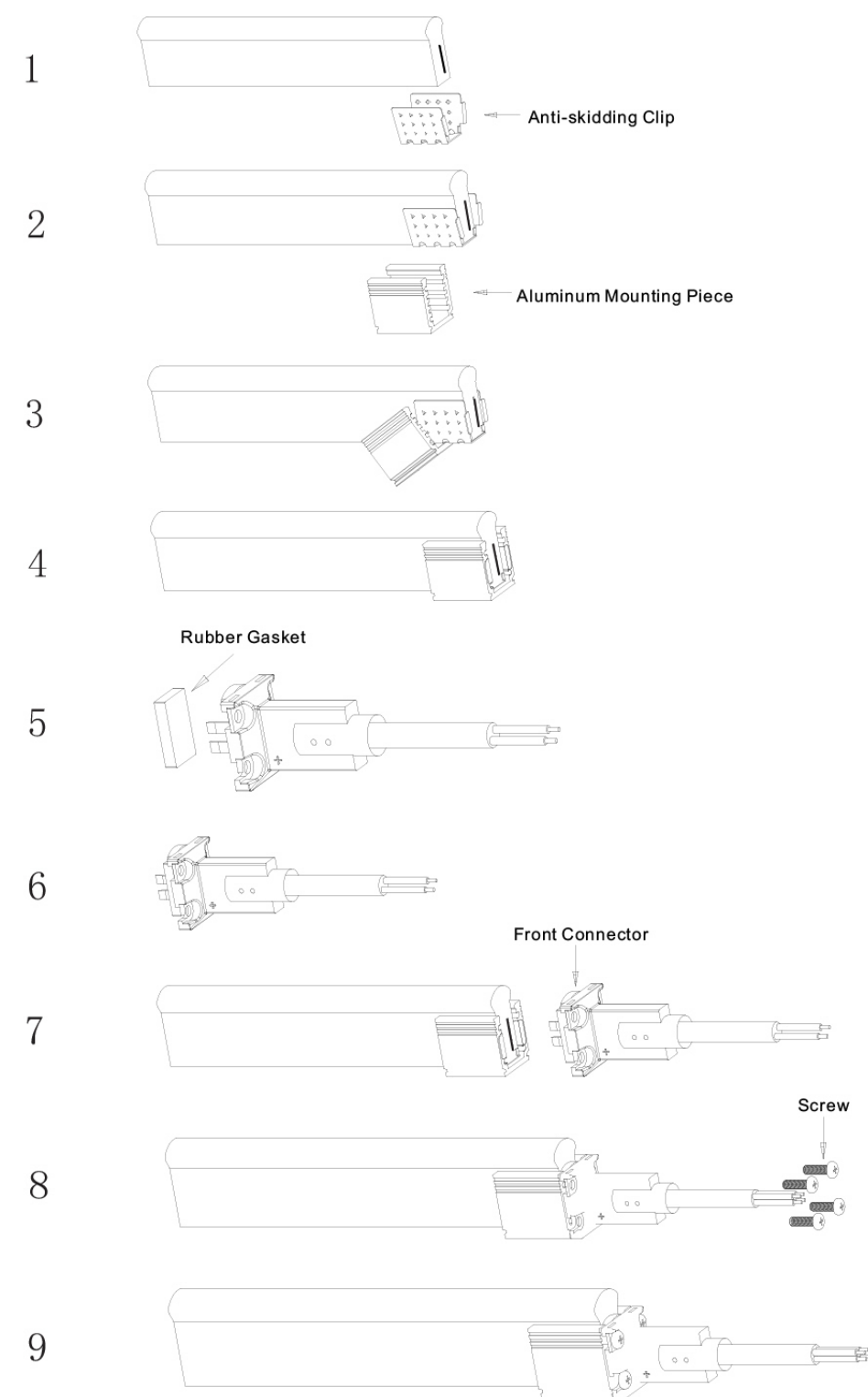


IP68 Front Connector Installation

Diagram



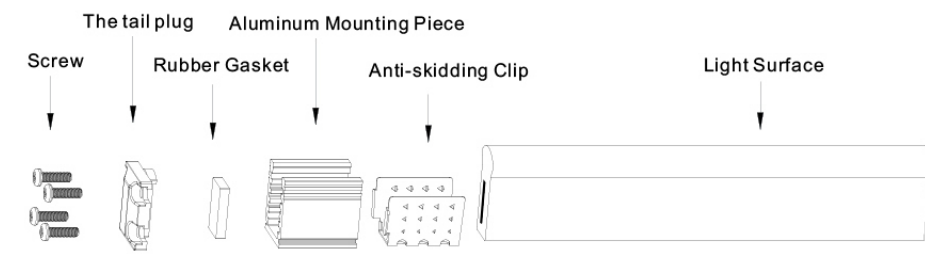
Step



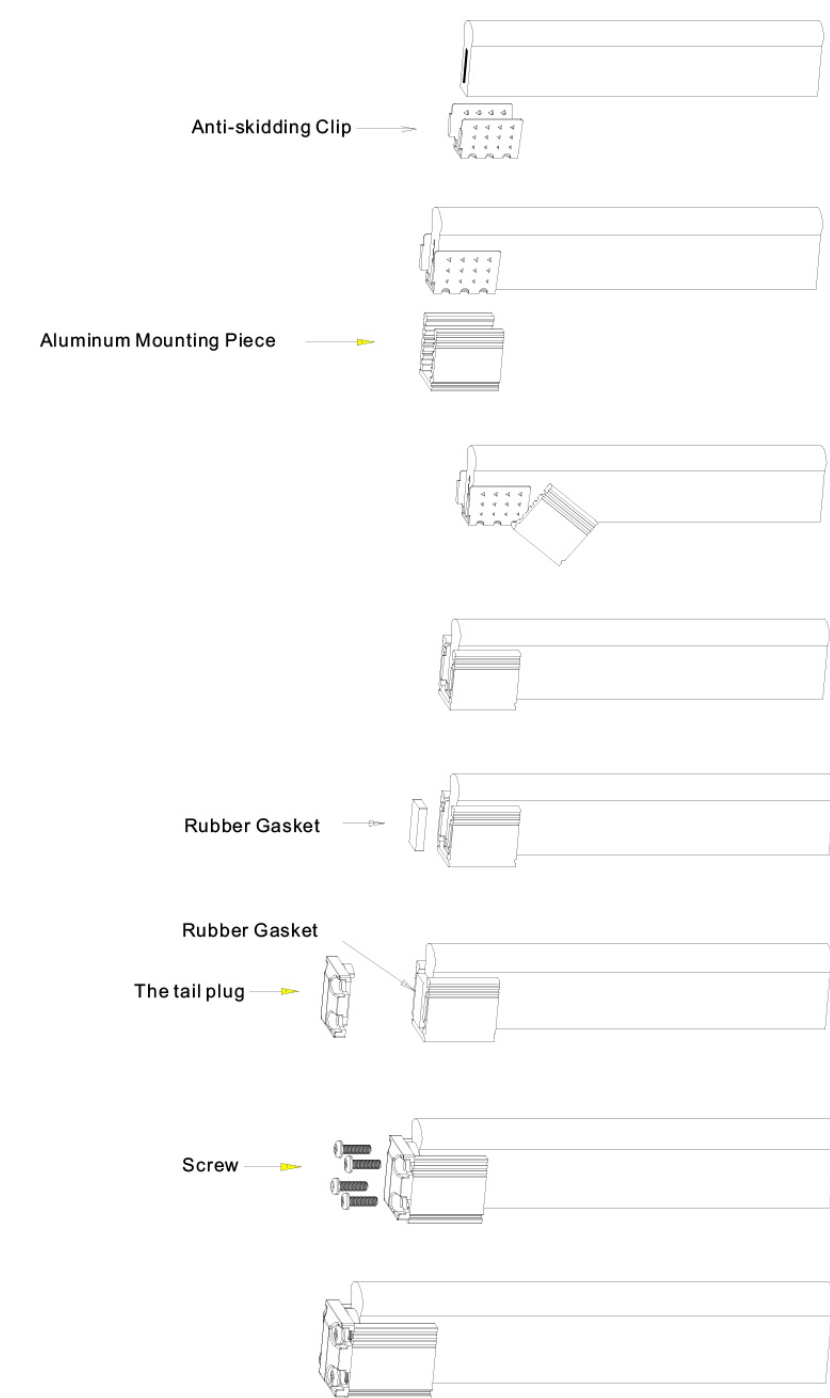
6

IP68 End Cap Installation

Diagram



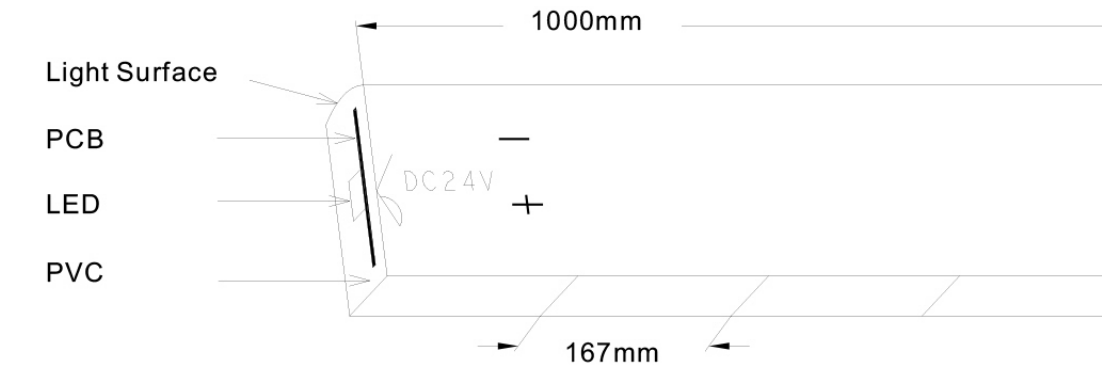
Step



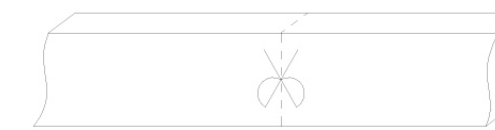
7

Unit cutting guide

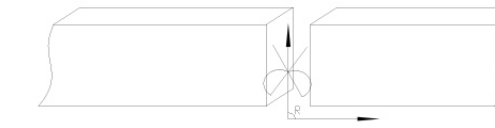
Diagram



NOTES



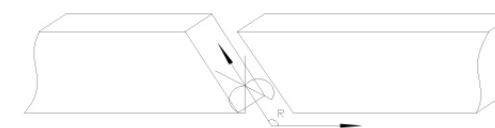
The correct cutting way, $R=90^\circ$ ✓



Wave cutting is incorrect ✗



$R>90^\circ$ is incorrect ✗

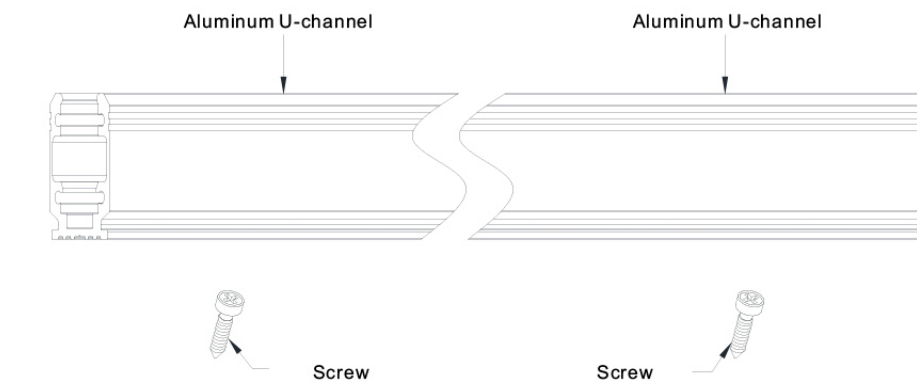


$R<90^\circ$ is incorrect ✗

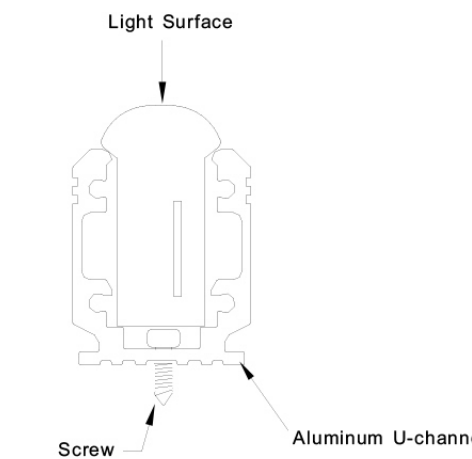
8

Installation Guide

1. Fixing Aluminum U-channel by screw



2. Install the light into the aluminum U-channel and level



USER'S MANUAL

Ip68 LED NEON FLEX

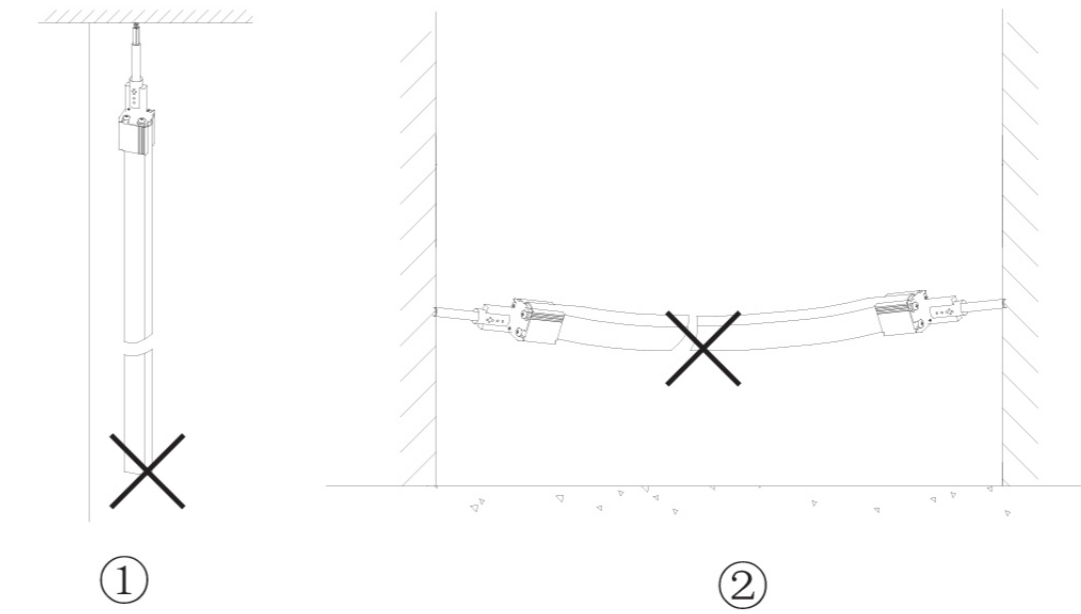
PLEASE READ THESE INSTRUCTIONS CAREFULLY BEFORE INSTALLATION LEAVE A COPY FOR THE END USER/MAINTENANCE ENGINEER FOR FUTURE REFERENCE



9

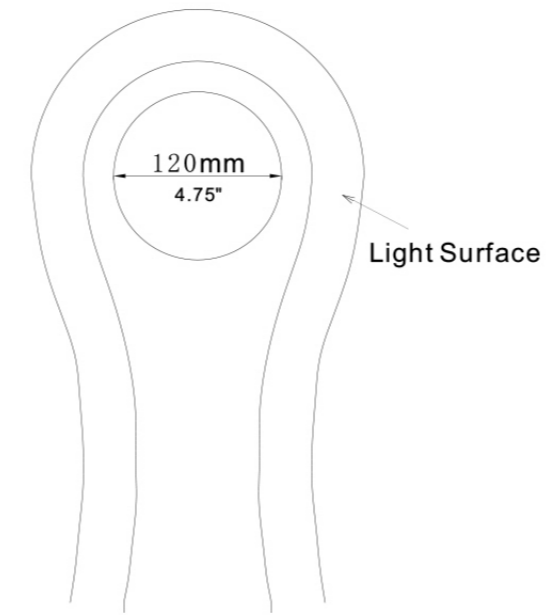
CAUTION

Suspending LED Neon Flex as the picture illustrates is not permitted.

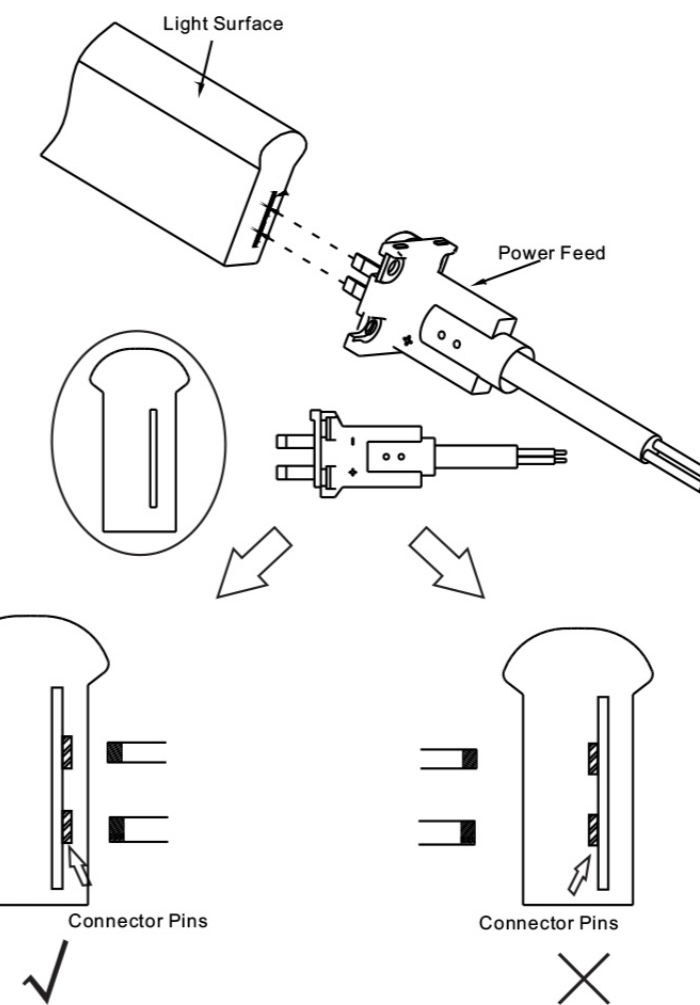
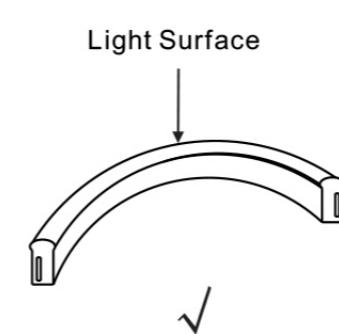
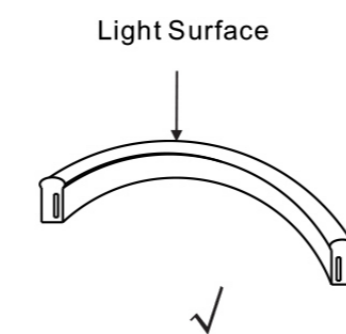
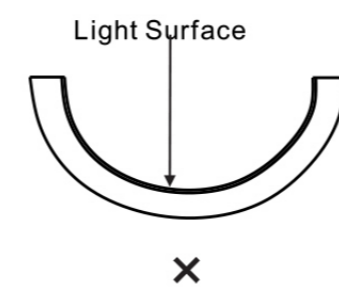
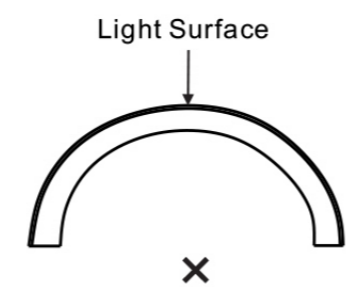
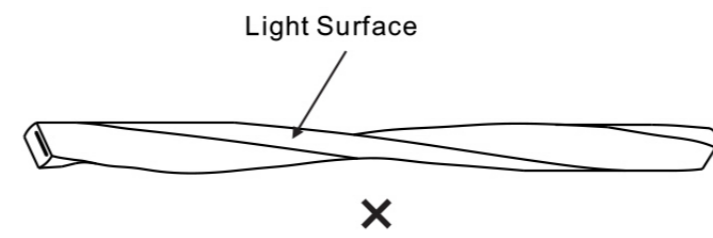


Attention:
how to use 2pin Cable Connector

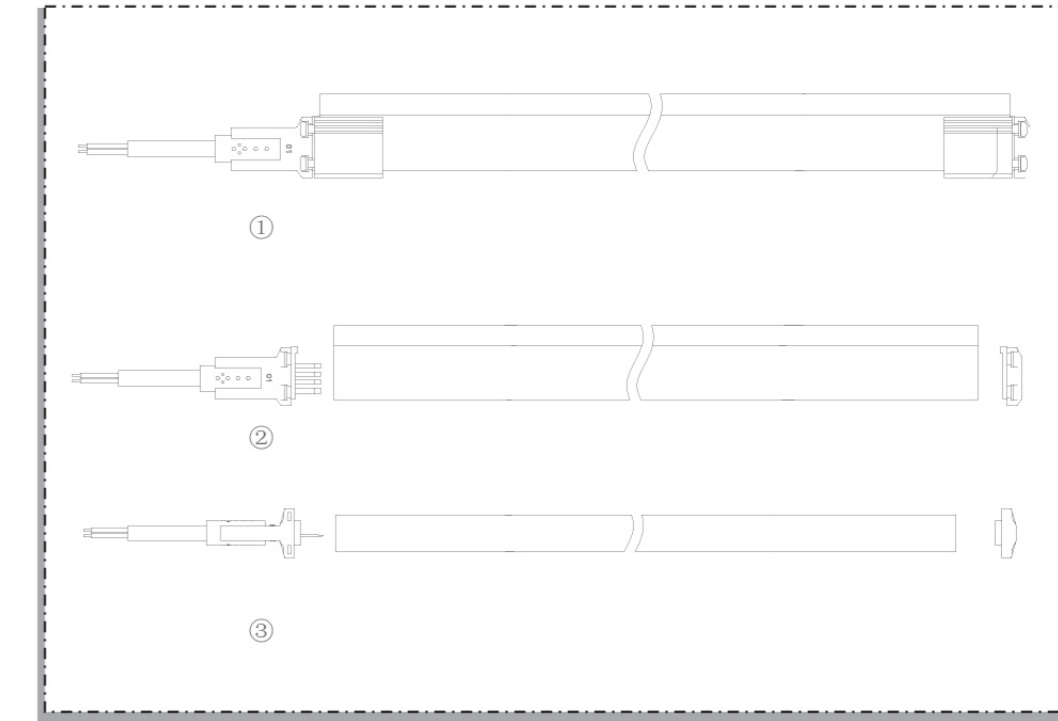
Minimum bending diameter 120mm



CAUTION



Single end connection for Max. length 10m



Connecting both ends for 10m to max. length of 20m

