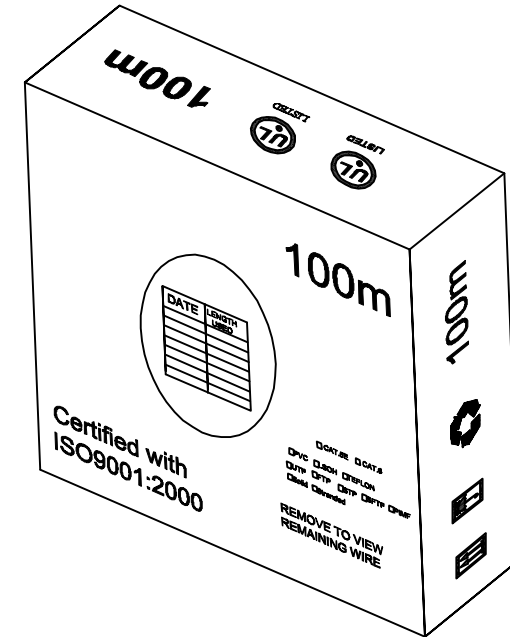
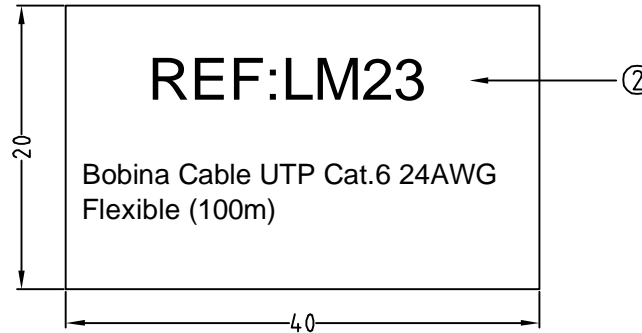
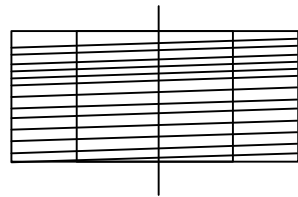
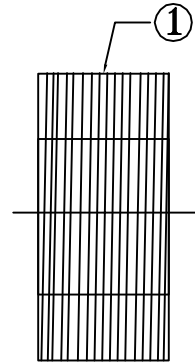
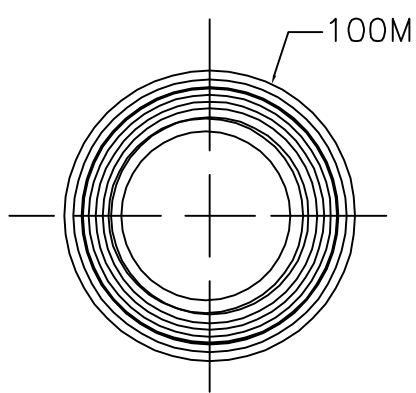


WEIGHT	CUSTOMER NO:	REMARK
M1-2062g	LM23	Cablematic



**CABLE:**

1) CAT.6 UTP CABLE 24#4P 多芯 LIGHT GTAY (2005) OD:5.5MM  
100M/ROLL PRINT:1M.....100M RoHS

**NOTE:**

- 3) Neutral white box, the label sticked the bottom of left side of box
- 4) ROHS COMPLIANT.

A	FIRST EDITION	J.Lan	04/08/10
REV. ECR	DESCRIPTION	C.N.	DATE
<small>THESE DRAWINGS AND SPECIFICATIONS ARE THE PROPERTY OF WIRETEK COMPUTER LIMITED AND SHALL NOT BE REPRODUCED COPIED OR USED IN ANY MANNER WITHOUT THE PRIOR WRITTEN CONSENT OF WIRETEK COMPUTER LIMITED.</small>		TITLE	
<small>UNLESS OTHERWISE SPECIFIED: DIMENSIONS ARE IN MILLIMETERS ANGULAR TOLERANCE: ±1.0°</small>		<b>UTP CABLE</b>	
DIMENSIONS	TOLERANCE	CHKD.	CONF.
0.00 TO 30.00mm	±0.10mm		
30.01 TO 80.00mm	±0.13mm	DR.	APPD.
80.01 TO 150.00mm	±0.15mm	J.Lan	
150.01mm	±0.20mm	PART NO.	
MATERIAL		2615-1223	
FINISH		SCALE	SHEET 1/1 UNIT MM SIZE A4 REV. A