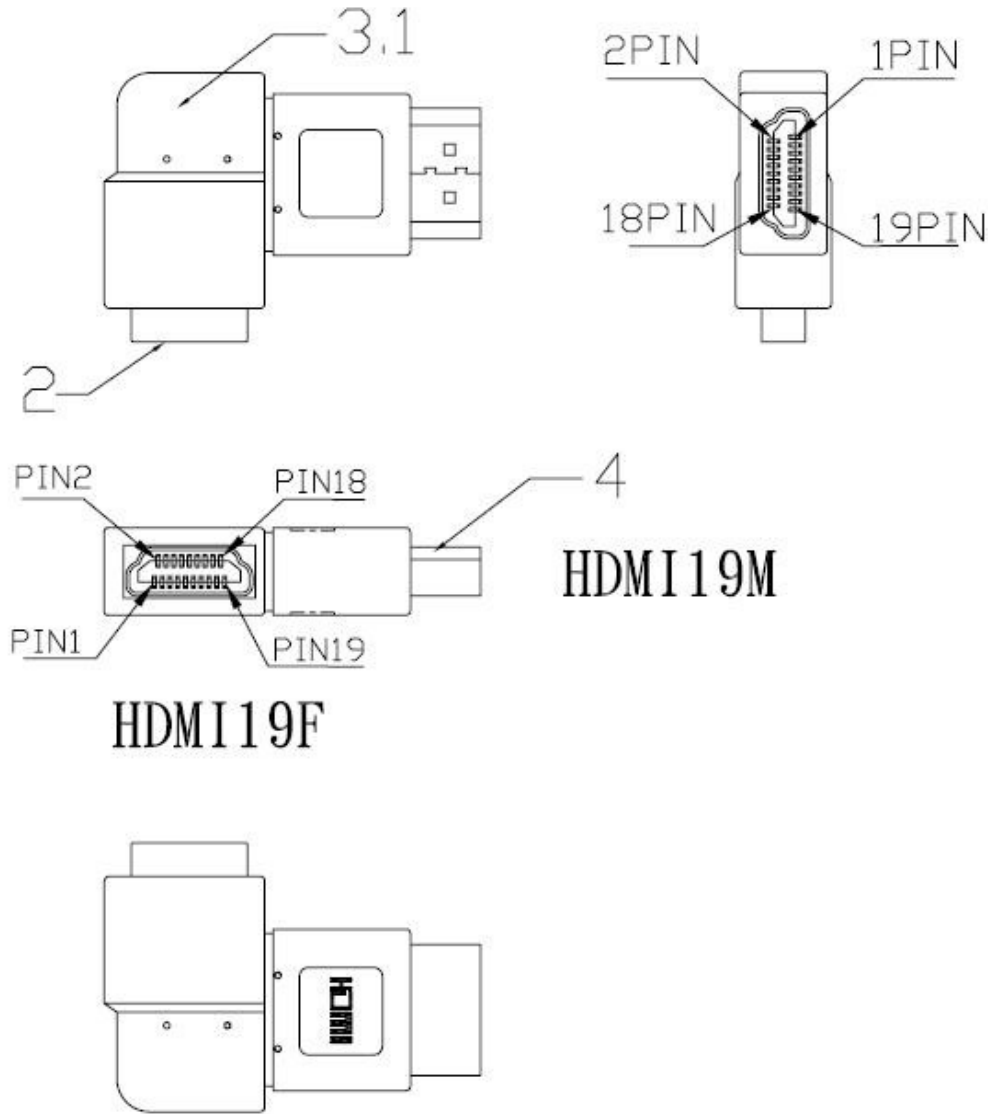


HDMI M- HDMI F



ELECTRICAL TEST:

1. CURRENT RATING: DC 0.5A
2. WITHSTANDING VOLTAGE: DC 300VDC
3. INSULATION RESISTANCE: 5Mohm
4. CONDUCTIVE RESISTANCE: 10ohm

| HDMI 19 | | HDMI 19 | |
|---------|--|---------|----------------------|
| 3 | | 3 | (TMDS Data 2-) |
| 1 | | 1 | (TMDS Data 2+) |
| 2 | | 2 | (TMDS Data 2 Shield) |
| 6 | | 6 | (TMDS Data 1-) |
| 4 | | 4 | (TMDS Data 1+) |
| 5 | | 5 | (TMDS Data 1 Shield) |
| 9 | | 9 | (TMDS Data 0-) |
| 7 | | 7 | (TMDS Data 0+) |
| 8 | | 8 | (TMDS Data 0 Shield) |
| 12 | | 12 | (TMDS Clock -) |
| 10 | | 10 | (TMDS Clock +) |
| 11 | | 11 | (TMDS Clock Shield) |
| 18 | | 18 | (+5V Power) |
| 17 | | 17 | (Ground) |
| 15 | | 15 | (DCC Clock) |
| 16 | | 16 | (DCC Data) |
| 19 | | 19 | (Hot Plug Detect) |
| 13 | | 13 | (CEC) |
| 14 | | 14 | NO FUNCTION |

SHELL _____ SHELL

| 4 | HDMI A 19P MALE SOLDER TYPE CONTACT GOLD FLASH SHELL PLATED NICKEL | PCS | 1 |
|------|--|------|------|
| 3 | OUTTER MOLD PVC 55% (BLACK IN COLOR | PCS | 1 |
| 2 | HDMI A 19P FEMALE SOLDER TYPE CONTACT GOLD FLASH SHELL PLATED NICKEL | PCS | 1 |
| 1 | UL1007 30AWG STRANDEDx7 5CM | PCS | 20 |
| No. | DESCRIPTION | UNIT | Q'TY |
| A | ADAPTER HDMI A-TYPE MALE TO FEMALE | | |
| REV. | DESCRIPTION | DATE | |

| | | |
|--------------------------------------|---------|--------------|
| UNLESS OTHERWISE SPECIFIED TOLERANCE | | |
| ANG. | ±5 | |
| 0. | ±0.5 | |
| .0 | ±0.3 | |
| .00 | ±0.2 | |
| SCALE: | NONE | UNIT: mm |
| DRAWN: | De Yong | 08/03/01 |
| CHECKED: | | |
| APPROVED: | | |
| DRAWN NAME: | | 競捷-HD48 |
| PRODUCT NO. | | ADP-HM-HFC-L |
| FILE NAME: | | |