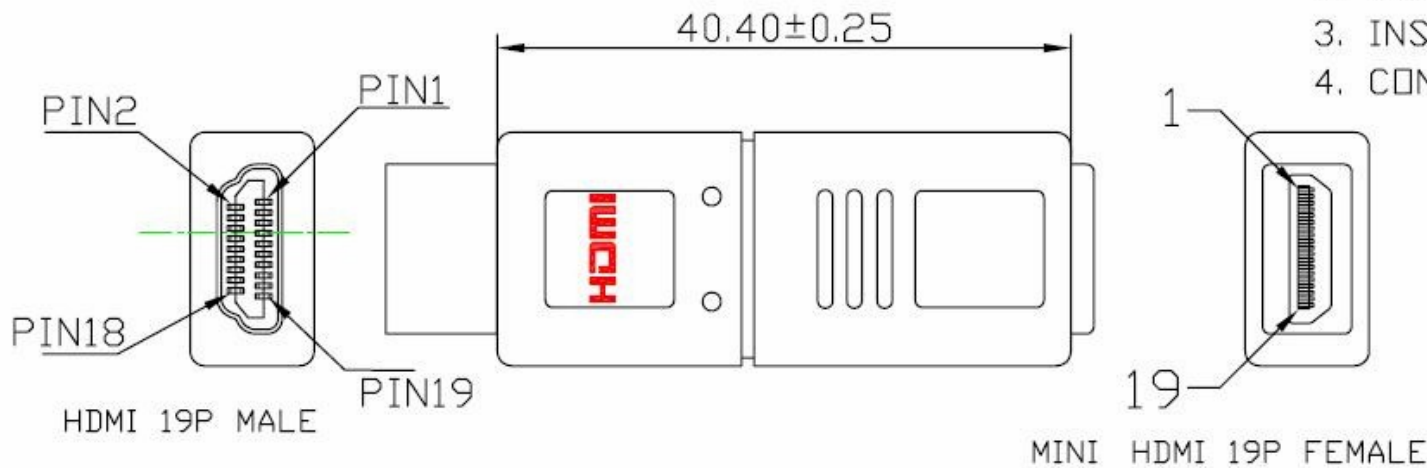


HDMI M- MINI HDMI F

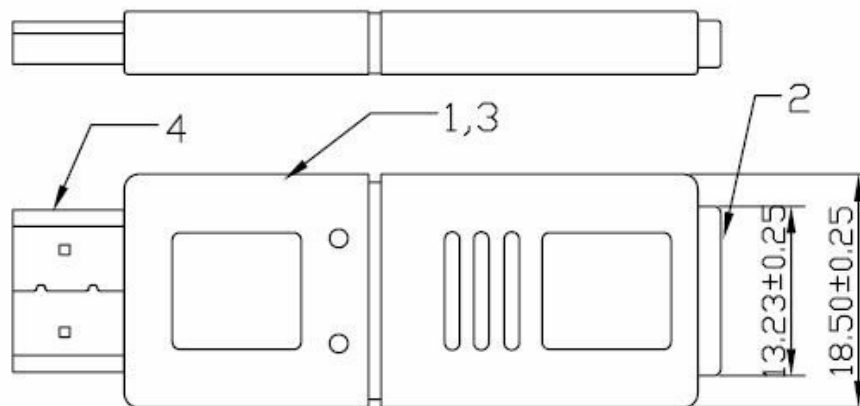
ELECTRICAL TEST:

1. CURRENT RATING: DC 0.5A
2. WITHSTANDING VOLTAGE: DC 300VDC
3. INSULATION RESISTANCE: 5Mohm
4. CONDUCTIVE RESISTANCE: 10ohm



MINI HDMI	HDMI
2	1
3	3
1	2
5	4
6	6
4	5
8	7
9	9
7	8
11	10
12	12
10	11
13	17
18	18
14	13
15	15
16	16
17	14
19	19
SHELL	SHELL

LOGO
HDMI



No.	DESCRIPTION	UNIT	Q'TY
4	HDMI 19P A TYPE MALE SHELL PLATED:GOLD CONNTACT:G/F	PCS	1
3	55P PVC MOLDING BLACK IN COLOR		
2	MINI HDMI 19P FEMALE SHELL PLATED:GOLD CONNTACT:G/F	PCS	1
1	UL1007 30AWG STRANDED×7		
A			
REV.	DESCRIPTION	DATE	

UNLESS OTHERWISE SPECIFIED TOLERANCE		
ANG.	±5°	
0.	±0.5	
.0	±0.3	
.00	±0.2	
SCALE:	NONE	UNIT: mm
DRAWN	YIXIAOYANG	08/12/11
CHECKED	ERIC	08/12/11
APPROVED		
DRAWN NAME:		竞捷-HD35
PRODUCT NO.		
SIZE	A4	REV. A
FILE NAME:		